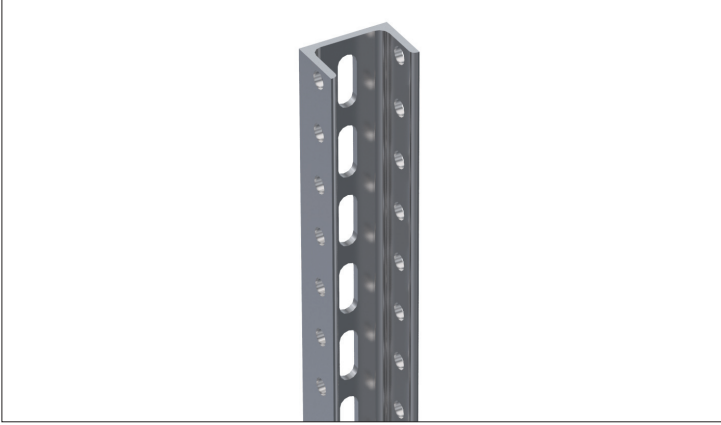


Askı & Destek Sistemleri / Hanging & Support Systems

NPU Profiller / NPU Profiles

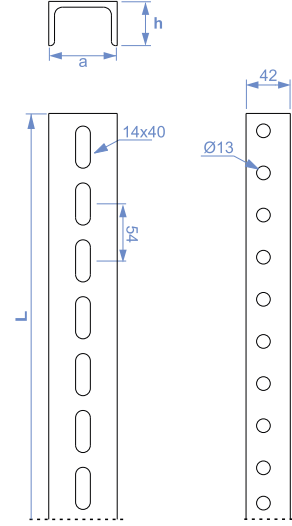


NPU Profil / NPU Profile



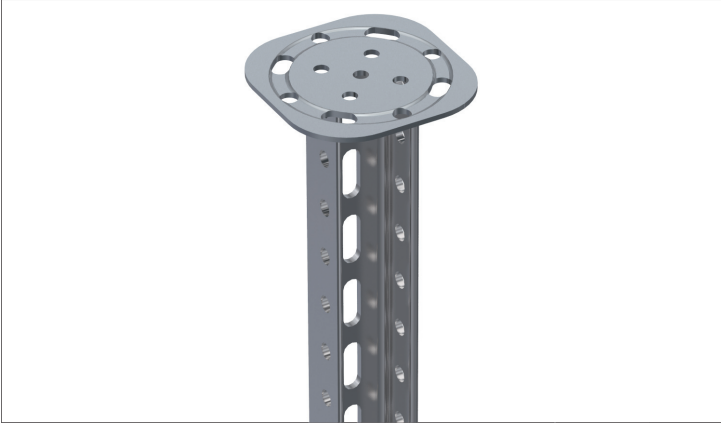
| Ürün Kodu Product Code | a mm | L mm | 7,0 mm kg/ad kg/pcs |
|---------------------------|---------|---------|---------------------------|
| STS NPU 65-20 | 65 | 200 | 1,397 |
| STS NPU 65-30 | 65 | 300 | 2,095 |
| STS NPU 65-40 | 65 | 400 | 2,794 |
| STS NPU 65-50 | 65 | 500 | 3,492 |
| STS NPU 65-60 | 65 | 600 | 4,191 |
| STS NPU 65-70 | 65 | 700 | 4,889 |
| STS NPU 65-80 | 65 | 800 | 5,588 |
| STS NPU 65-90 | 65 | 900 | 6,286 |
| STS NPU 65-100 | 65 | 1000 | 6,985 |
| STS NPU 65-110 | 65 | 1100 | 7,683 |

| Ürün Kodu Product Code | a mm | L mm | 7,0 mm kg/ad kg/pcs |
|---------------------------|---------|---------|---------------------------|
| STS NPU 65-120 | 65 | 1200 | 8,382 |
| STS NPU 65-130 | 65 | 1300 | 9,080 |
| STS NPU 65-140 | 65 | 1400 | 9,779 |
| STS NPU 65-150 | 65 | 1500 | 10,477 |
| STS NPU 65-160 | 65 | 1600 | 11,176 |
| STS NPU 65-170 | 65 | 1700 | 11,875 |
| STS NPU 65-180 | 65 | 1800 | 12,573 |
| STS NPU 65-190 | 65 | 1900 | 13,271 |
| STS NPU 65-200 | 65 | 2000 | 13,970 |
| STS NPU 65-300 | 65 | 3000 | 20,955 |



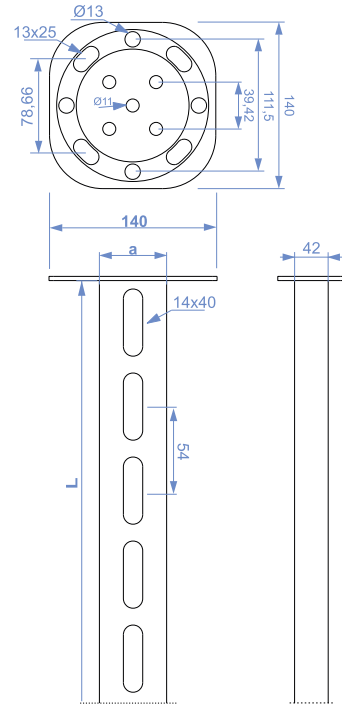
Sac Kalınlığı (t) [mm]: 7,0
Thickn. (t) [mm]:

NPU Profil Tavan Montaj Elemanı / NPU Profile Ceiling Assembly Element



| Ürün Kodu Product Code | a mm | L mm | 7,0 mm kg/ad kg/pcs |
|---------------------------|---------|---------|---------------------------|
| STS NPUT 65-20 | 65 | 200 | 1,900 |
| STS NPUT 65-30 | 65 | 300 | 2,598 |
| STS NPUT 65-40 | 65 | 400 | 3,297 |
| STS NPUT 65-50 | 65 | 500 | 3,995 |
| STS NPUT 65-60 | 65 | 600 | 4,694 |
| STS NPUT 65-70 | 65 | 700 | 5,392 |
| STS NPUT 65-80 | 65 | 800 | 6,091 |
| STS NPUT 65-90 | 65 | 900 | 6,789 |
| STS NPUT 65-100 | 65 | 1000 | 7,488 |
| STS NPUT 65-110 | 65 | 1100 | 8,186 |

| Ürün Kodu Product Code | a mm | L mm | 7,0 mm kg/ad kg/pcs |
|---------------------------|---------|---------|---------------------------|
| STS NPUT 65-120 | 65 | 1200 | 8,885 |
| STS NPUT 65-130 | 65 | 1300 | 9,583 |
| STS NPUT 65-140 | 65 | 1400 | 10,282 |
| STS NPUT 65-150 | 65 | 1500 | 10,980 |
| STS NPUT 65-160 | 65 | 1600 | 11,679 |
| STS NPUT 65-170 | 65 | 1700 | 12,378 |
| STS NPUT 65-180 | 65 | 1800 | 13,076 |
| STS NPUT 65-190 | 65 | 1900 | 13,774 |
| STS NPUT 65-200 | 65 | 2000 | 14,473 |
| STS NPUT 65-300 | 65 | 3000 | 21,709 |



Sac Kalınlığı (t) [mm]: 7,0
Thickn. (t) [mm]:

• Ağırlıklar ± 5% farklılık gösterebilir - Material weights may vary by ± 5%

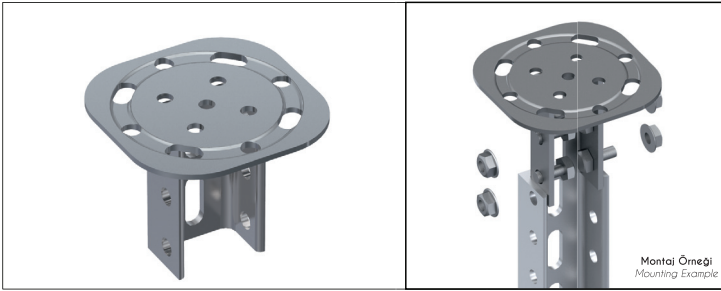
• Ölçüler mm.dir - Dimensions in mm.

Aski & Destek Sistemleri / Hanging & Support Systems

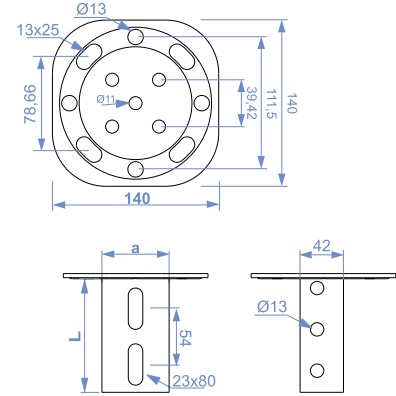
NPU Profiller / NPU Profiles



NPU Tavan Montaj Elemanı / NPU Profile Ceiling Assembly Element



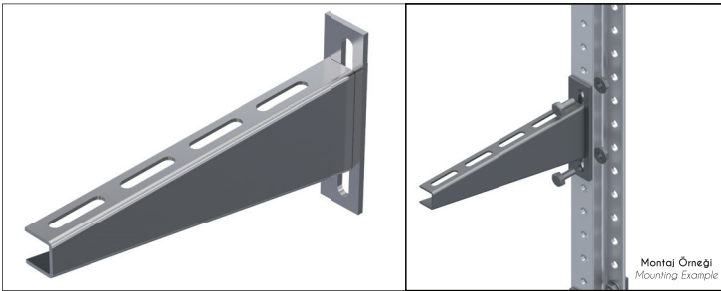
| Ürün Kodu Product Code | a mm | L mm | 4,0 mm kg/ad. kg/pcs |
|---------------------------|---------|---------|----------------------------|
| STS UP65-U1 | 65 | 120 | 1,055 |



Sac Kalınlığı (t) [mm]:
Thickn. (t) [mm]:

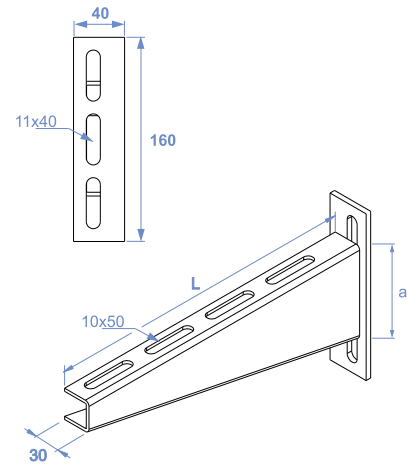


NPU Konsolları / NPU Brackets



| Ürün Kodu Product Code | a mm | L mm | 2,0 mm kg/ad. kg/pcs |
|---------------------------|---------|---------|----------------------------|
| STS UPK 10 | 60 | 110 | 0,341 |
| STS UPK 15 | 60 | 160 | 0,415 |
| STS UPK 20 | 60 | 210 | 0,439 |
| STS UPK 25 | 60 | 260 | 0,563 |

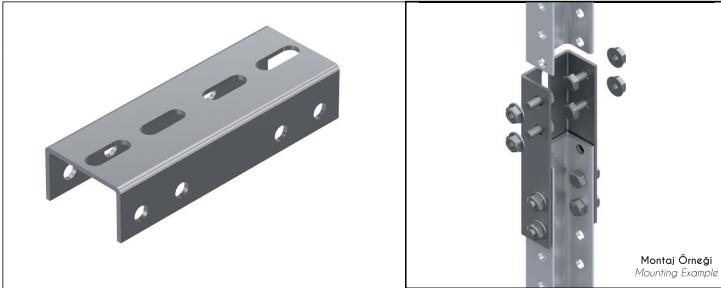
| Ürün Kodu Product Code | a mm | L mm | 3,0 mm kg/ad. kg/pcs |
|---------------------------|---------|---------|----------------------------|
| STS UPK 30 | 90 | 310 | 0,928 |
| STS UPK 40 | 90 | 410 | 1,170 |
| STS UPK 50 | 90 | 510 | 1,411 |
| STS UPK 60 | 90 | 610 | 1,653 |



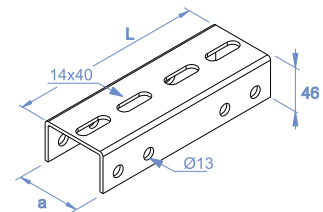
Sac Kalınlığı (t) [mm]:
Thickn. (t) [mm]:



NPU Ek Parçası / NPU Straight Connector



| Ürün Kodu Product Code | a mm | L mm | 4,0 mm kg/ad. kg/pcs |
|---------------------------|---------|---------|----------------------------|
| STS UP65EK1 | 74 | 200 | 0,940 |



Sac Kalınlığı (t) [mm]:
Thickn. (t) [mm]:



• Ağırlıklar ± 5% farklılık gösterebilir - Material weights may vary by ± 5%

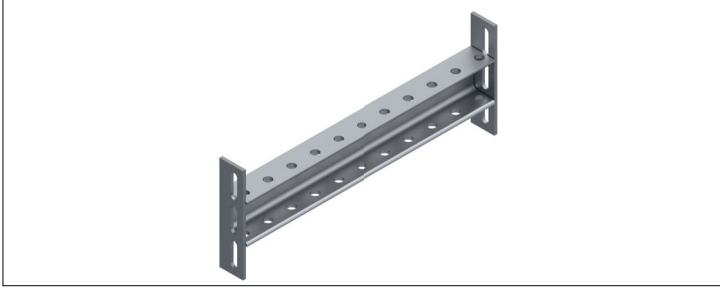
• Ölçüler mm.dir - Dimensions in mm.

Askı & Destek Sistemleri / Hanging & Support Systems

NPU Profiller / NPU Profiles

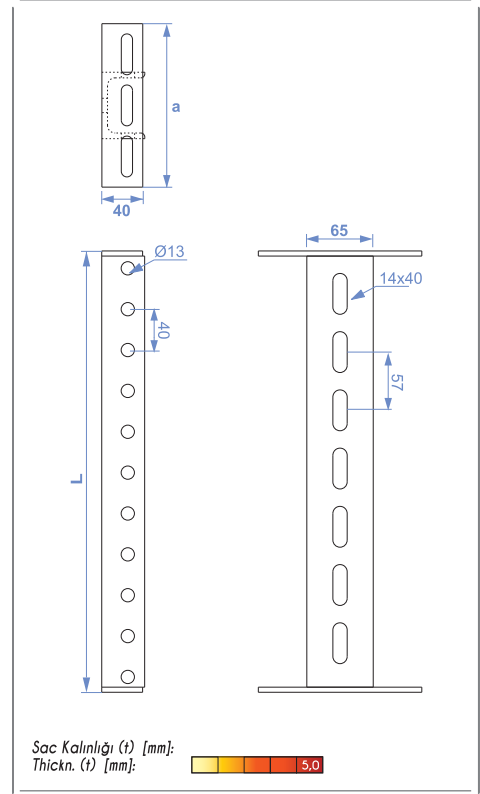


NPU Ağır Hizmet Konsolları / NPU Heavy Duty Brackets

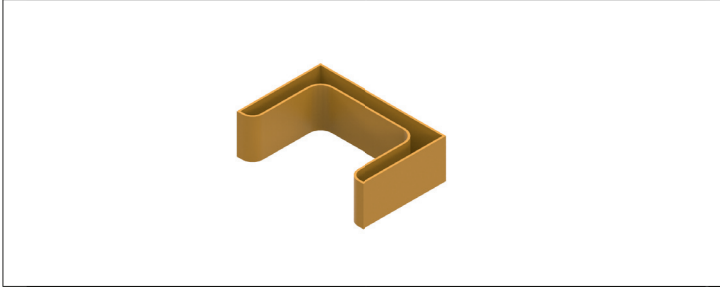


| Ürün Kodu Product Code | a mm | L mm | 5,0 mm kg/ad kg/pcs |
|---------------------------|---------|---------|---------------------------|
| STS NPUEK-1 | 140 | 200 | 1,837 |
| STS NPUEK-2 | 140 | 300 | 2,535 |
| STS NPUEK-3 | 140 | 400 | 3,234 |
| STS NPUEK-4 | 140 | 500 | 3,932 |
| STS NPUEK-5 | 140 | 600 | 4,635 |

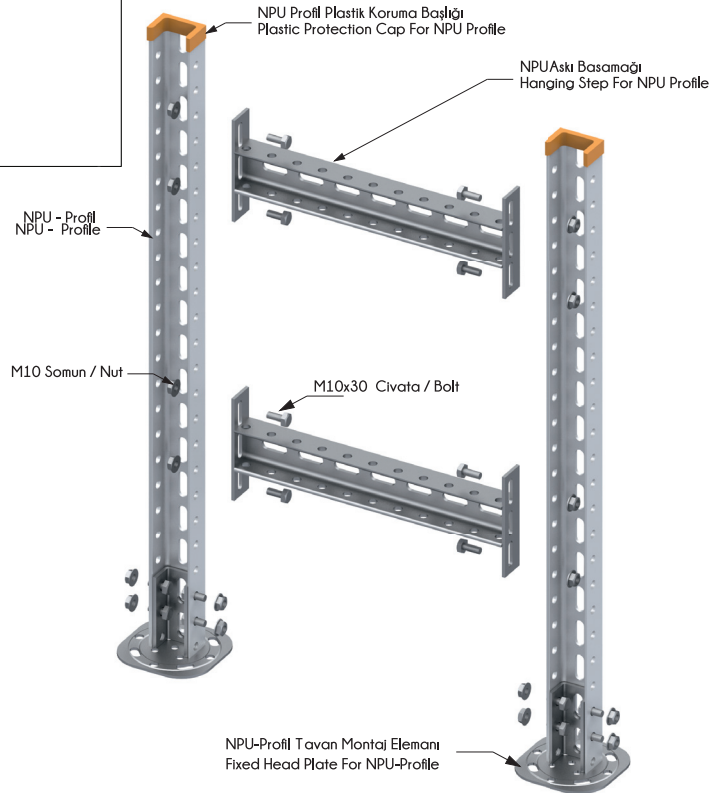
| Ürün Kodu Product Code | a mm | L mm | 5,0 mm kg/ad kg/pcs |
|---------------------------|---------|---------|---------------------------|
| STS NPUEK-6 | 140 | 700 | 5,329 |
| STS NPUEK-7 | 140 | 800 | 6,028 |
| STS NPUEK-8 | 140 | 900 | 6,726 |
| STS NPUEK-9 | 140 | 1000 | 7,625 |



NPU Plastik Koruma Başlığı / Plastic Protection Cap



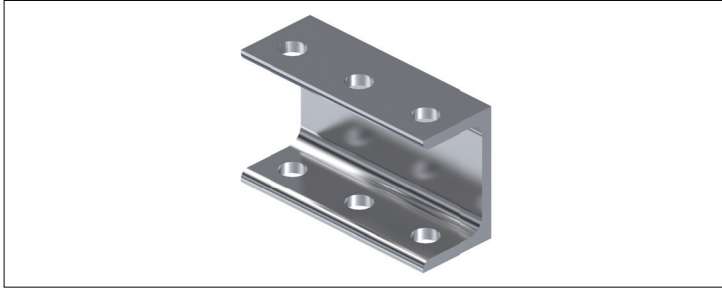
| Ürün Kodu Product Code | kg/ad kg/pcs |
|---------------------------|-----------------|
| STS UKB | 0,032 |



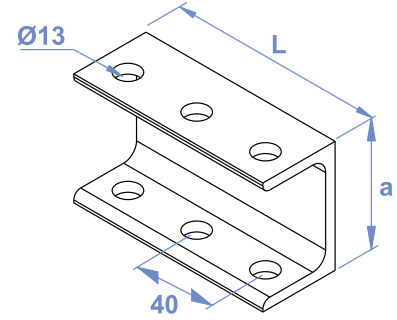
• Ağırlıklar ± 5% farklılık gösterebilir - Material weights may vary by ± 5%

• Ölçüler mm.dir - Dimensions in mm.

NPU65 Tijli Askı Elemanı / NPU 65 Hanging Support Element



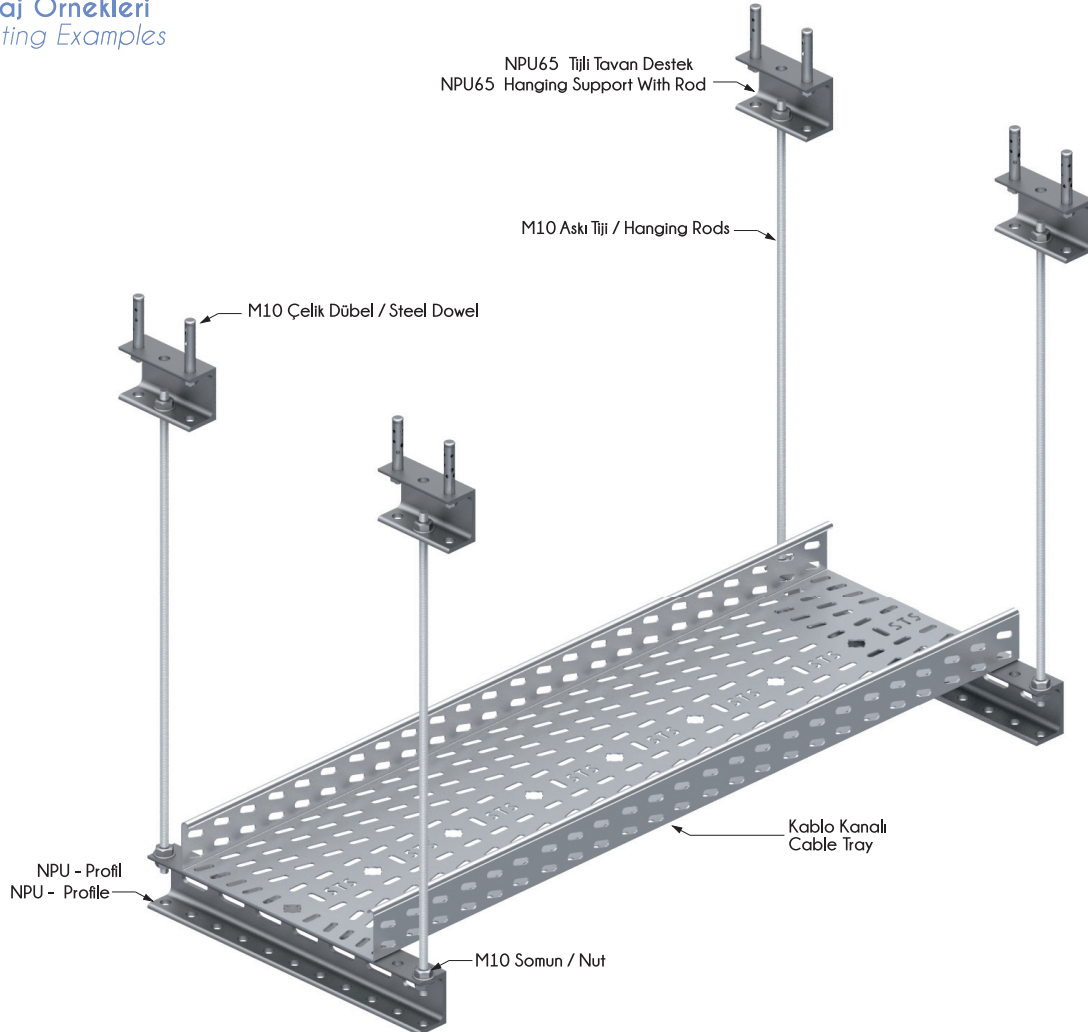
| Ürün Kodu Product Code | a mm | L mm | 7,0 mm kg/ad kg/pcs |
|---------------------------|---------|---------|---------------------------|
| STS NPU-TT | 65 | 110 | 0,768 |



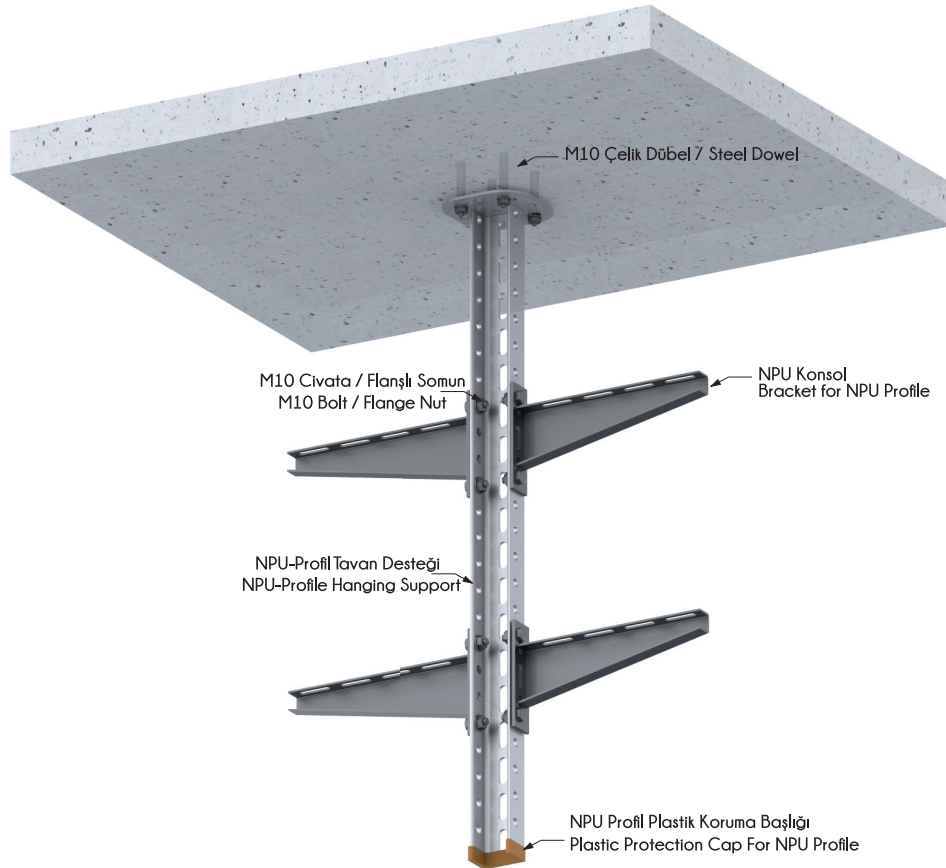
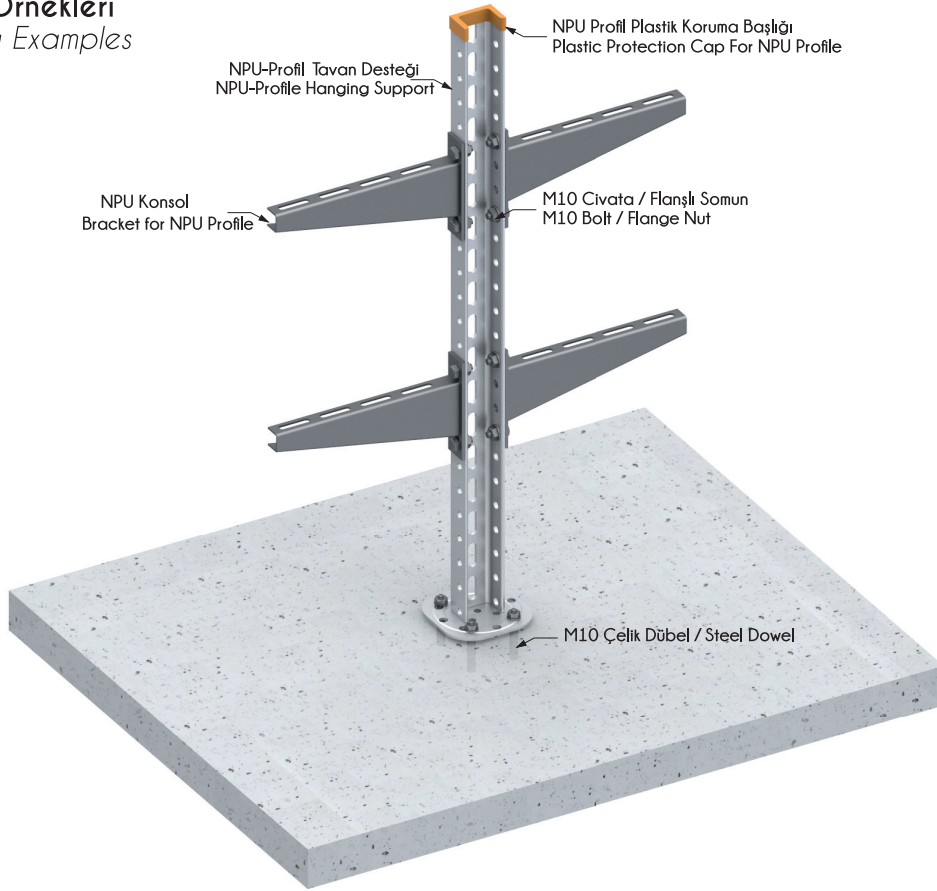
Sac Kalınlığı (t) [mm]:
Thickn. (t) [mm]:



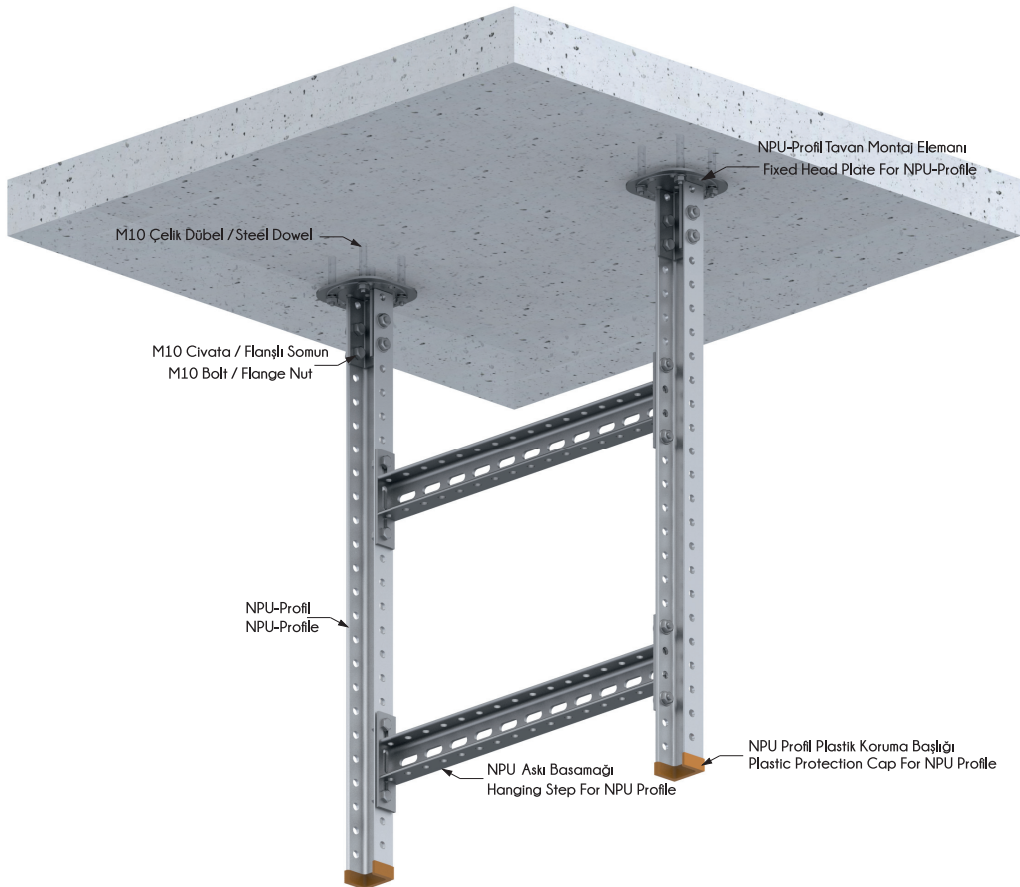
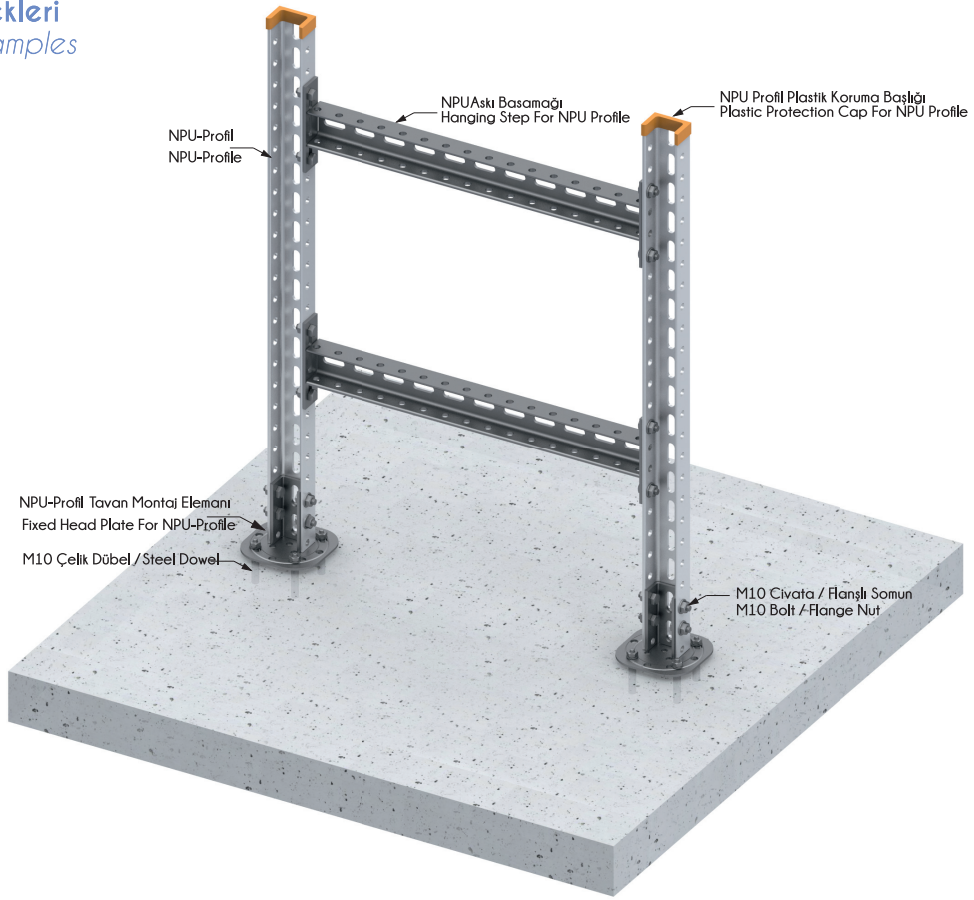
Montaj Örnekleri Mounting Examples



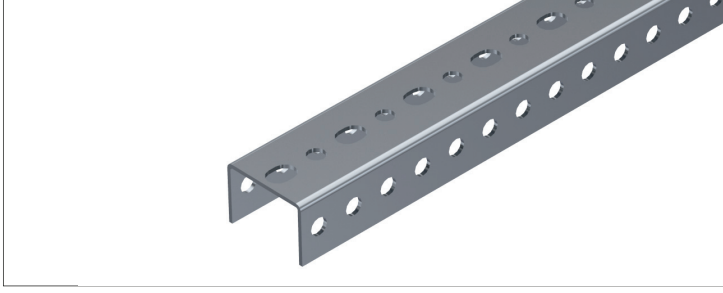
Montaj Örnekleri
Mounting Examples



Montaj Örnekleri
Mounting Examples

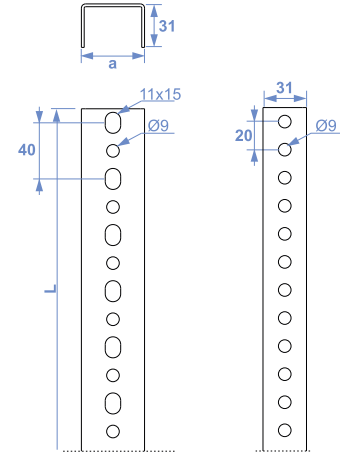


U-Profil / U-Profile



| Ürün Kodu Product Code | a mm | L mm | 2,0 mm kg/ad kg/pcs |
|---------------------------|---------|---------|---------------------------|
| STS U3-25 | 45 | 250 | 0,344 |
| STS U3-50 | 45 | 500 | 0,689 |
| STS U3-75 | 45 | 750 | 1,033 |
| STS U3-100 | 45 | 1000 | 1,377 |
| STS U3-125 | 45 | 1250 | 1,722 |

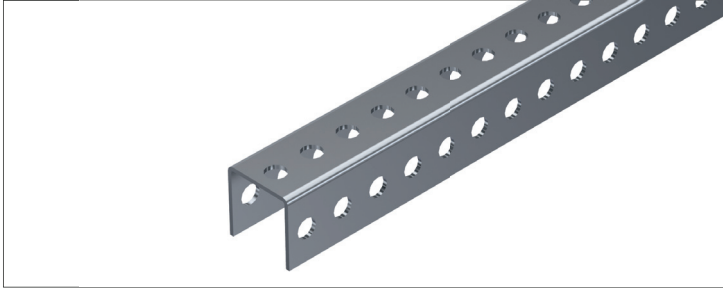
| Ürün Kodu Product Code | a mm | L mm | 2,0 mm kg/ad kg/pcs |
|---------------------------|---------|---------|---------------------------|
| STS U3-150 | 45 | 1500 | 2,066 |
| STS U3-175 | 45 | 1750 | 2,410 |
| STS U3-200 | 45 | 2000 | 2,754 |
| STS U3-225 | 45 | 2250 | 3,099 |
| STS U3-250 | 45 | 2500 | 3,443 |



Sac Kalınlığı (t) [mm]:
Thickn. (t) [mm]:

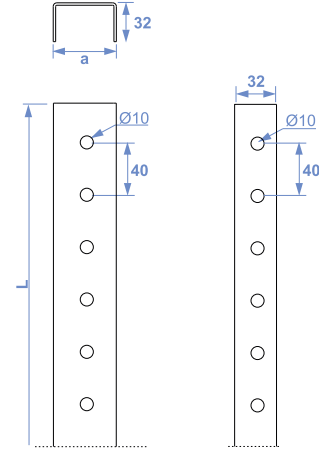


U-Profil / U-Profile



| Ürün Kodu Product Code | a mm | L mm | 2,0 mm kg/ad kg/pcs |
|---------------------------|---------|---------|---------------------------|
| STS U4-25 | 45 | 250 | 0,352 |
| STS U4-50 | 45 | 500 | 0,705 |
| STS U4-75 | 45 | 750 | 1,057 |
| STS U4-100 | 45 | 1000 | 1,409 |
| STS U4-125 | 45 | 1250 | 1,762 |

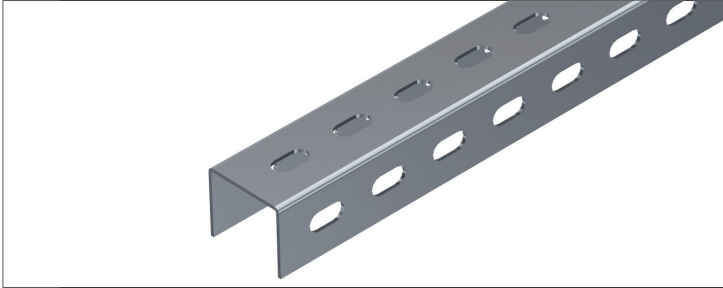
| Ürün Kodu Product Code | a mm | L mm | 2,0 mm kg/ad kg/pcs |
|---------------------------|---------|---------|---------------------------|
| STS U4-150 | 45 | 1500 | 2,114 |
| STS U4-175 | 45 | 1750 | 2,466 |
| STS U4-200 | 45 | 2000 | 2,818 |
| STS U4-225 | 45 | 2250 | 3,171 |
| STS U4-250 | 45 | 2500 | 3,523 |



Sac Kalınlığı (t) [mm]:
Thickn. (t) [mm]:

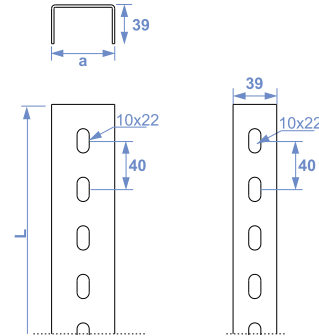


U-Profil / U-Profile



| Ürün Kodu Product Code | a mm | L mm | 2,0 mm kg/ad kg/pcs |
|---------------------------|---------|---------|---------------------------|
| STS U5-25 | 56 | 250 | 0,432 |
| STS U5-50 | 56 | 500 | 0,864 |
| STS U5-75 | 56 | 750 | 1,296 |
| STS U5-100 | 56 | 1000 | 1,728 |
| STS U5-125 | 56 | 1250 | 2,160 |

| Ürün Kodu Product Code | a mm | L mm | 2,0 mm kg/ad kg/pcs |
|---------------------------|---------|---------|---------------------------|
| STS U5-150 | 56 | 1500 | 2,592 |
| STS U5-175 | 56 | 1750 | 3,024 |
| STS U5-200 | 56 | 2000 | 3,456 |
| STS U5-225 | 56 | 2250 | 3,888 |
| STS U5-250 | 56 | 2500 | 4,320 |



Sac Kalınlığı (t) [mm]:
Thickn. (t) [mm]:



• Ağırlıklar ± 5% farklılık gösterebilir - Material weights may vary by ± 5%

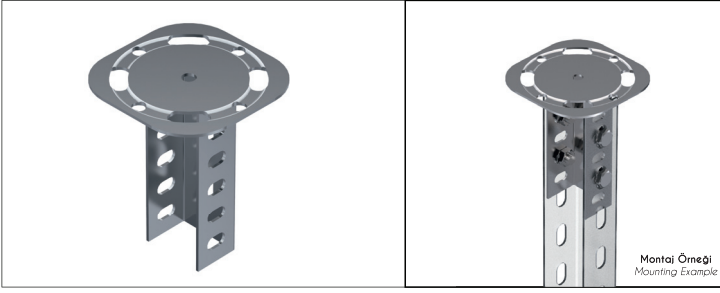
• Ölçüler mm.dir - Dimensions in mm.

Askı & Destek Sistemleri / Hanging & Support Systems

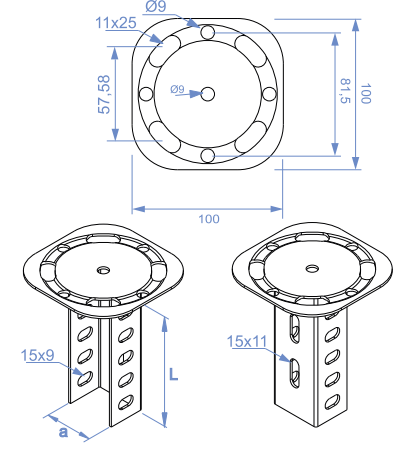
U-Profiller / U Profiles



U-Profil Tavan Montaj Elemanı / U Profile Ceiling Assembly Element

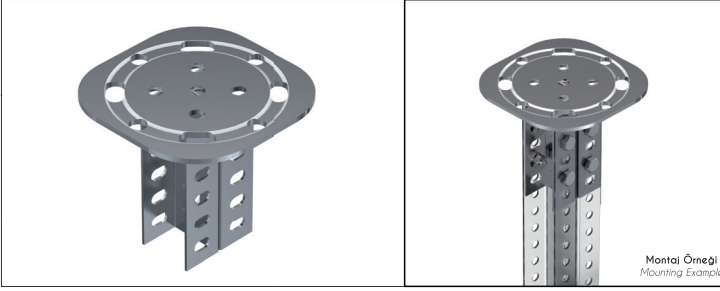


| Ürün Kodu Product Code | a mm | L mm | 2,0 mm kg/ad kg/pcs |
|---------------------------|---------|---------|---------------------------|
| STS U1 | 40 | 120 | 0,330 |

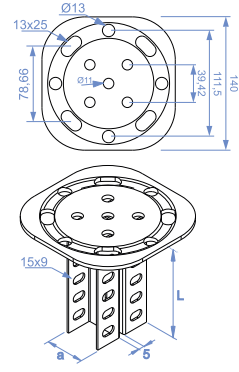


Sac Kalınlığı (t) [mm]:
Thickn. (t) [mm]:

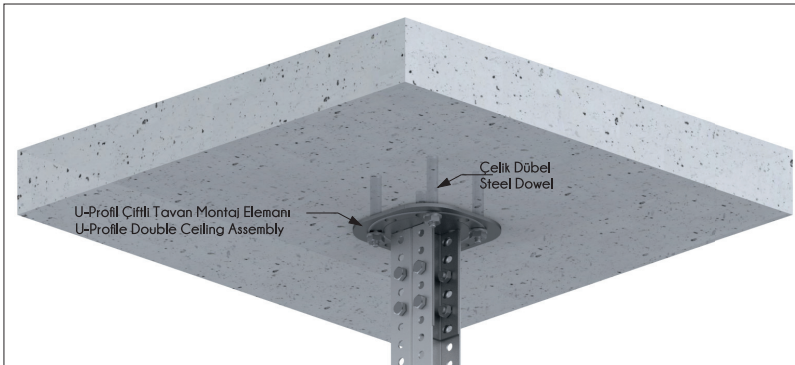
U-Profil Çiftli Tavan Montaj Elemanı / U Profile Double Ceiling Assembly Element



| Ürün Kodu Product Code | a mm | L mm | 2,0 mm kg/ad kg/pcs |
|---------------------------|---------|---------|---------------------------|
| STS U1-D | 40 | 120 | 0,520 |



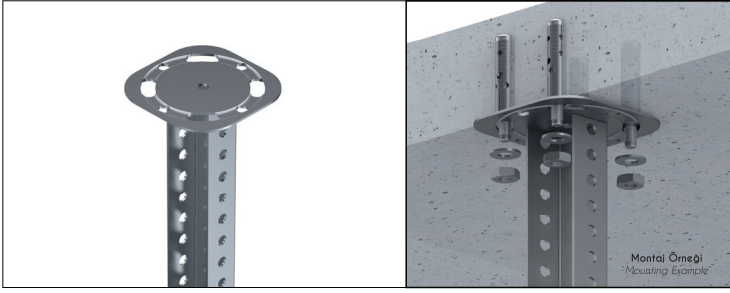
Sac Kalınlığı (t) [mm]:
Thickn. (t) [mm]:



• Ağırlıklar ± 5% farklılık gösterebilir - Material weights may vary by ± 5%

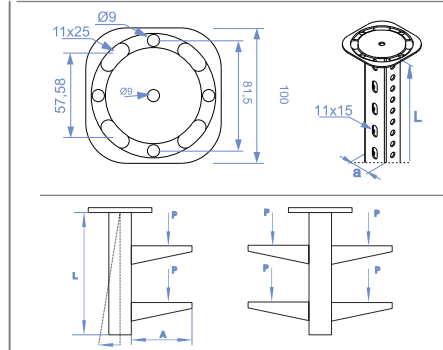
• Ölçüler mm.dir - Dimensions in mm.

U Profil Tavan Montaj Elemanı / U Profile Ceiling Assembly Element



| Ürün Kodu Product Code | a mm | L mm | 2,0 mm kg/ad kg/pcs |
|---------------------------|---------|---------|---------------------------|
| STS U2-20 | 45 | 200 | 0,420 |
| STS U2-30 | 45 | 300 | 0,561 |
| STS U2-40 | 45 | 400 | 0,702 |
| STS U2-50 | 45 | 500 | 0,843 |
| STS U2-60 | 45 | 600 | 0,984 |
| STS U2-70 | 45 | 700 | 1,125 |

| Ürün Kodu Product Code | a mm | L mm | 2,0 mm kg/ad kg/pcs |
|---------------------------|---------|---------|---------------------------|
| STS U2-80 | 45 | 800 | 1,266 |
| STS U2-90 | 45 | 900 | 1,406 |
| STS U2-100 | 45 | 1000 | 1,547 |
| STS U2-150 | 45 | 1500 | 2,252 |
| STS U2-200 | 45 | 2000 | 2,957 |
| STS U2-250 | 45 | 2500 | 2,661 |



U DESTEK STATİK DEĞERLERİ U SUPPORT STATIC VALUES

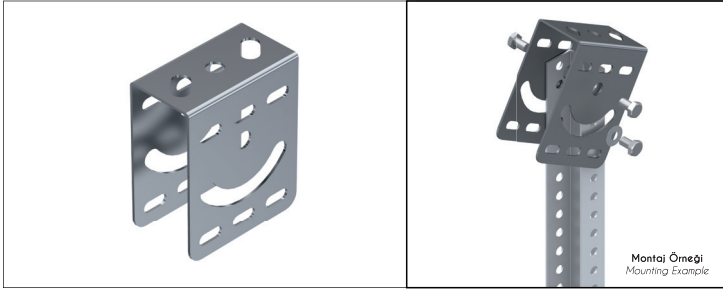
| KONSOL UZUNLUĞU (A) LENGTH OF BRACKET (A) | TEK TARAFLI YÜKLEMEDE UNILATERAL LOADING | | | | | | | | |
|--|--|-----|-----|-----|-----|-----|-----|-----|-----|
| | 200 | 200 | 200 | 400 | 400 | 400 | 600 | 600 | |
| P (kg) | 80 | 180 | 240 | 60 | 120 | 180 | 40 | 80 | 120 |
| F (mm) L=500mm | 4 | 6 | | 4 | 6 | | 4 | 6 | |
| F (mm) L=1000mm | 8 | 14 | | 8 | 14 | | 8 | 14 | |
| F (mm) L=1000mm | 11 | 20 | | 11 | 20 | | 11 | 20 | |

| KONSOL UZUNLUĞU (A) LENGTH OF BRACKET (A) | ÇİFT TARAFLI YÜKLEMEDE DOUBLE SIDES LOADING (F=0) | | | | | | | | |
|--|---|-----|-----|-----|-----|-----|-----|-----|-----|
| | 200 | 200 | 200 | 400 | 400 | 400 | 600 | 600 | |
| P (kg) | 160 | 320 | 640 | 120 | 240 | 360 | 80 | 160 | 240 |

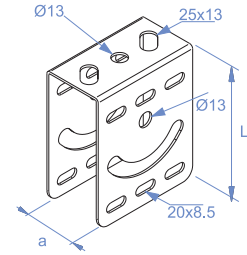
Sac Kalınlığı (t) [mm]:
Thickn. (t) [mm]:



U-Profil Tavan Montaj Elemanı / U Profile Ceiling Assembly Element



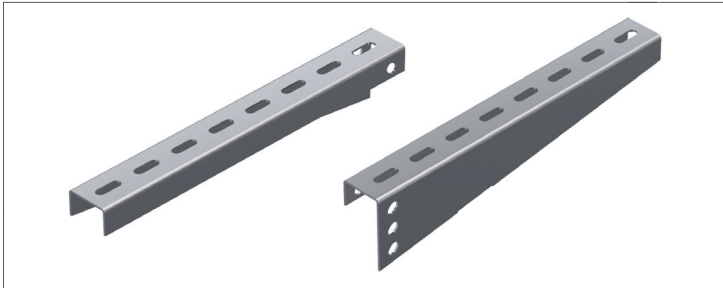
| Ürün Kodu Product Code | a mm | L mm | 2,0 mm kg/ad kg/pcs |
|---------------------------|---------|---------|---------------------------|
| STS S1 | 48 | 120 | 0,362 |



Sac Kalınlığı (t) [mm]:
Thickn. (t) [mm]:

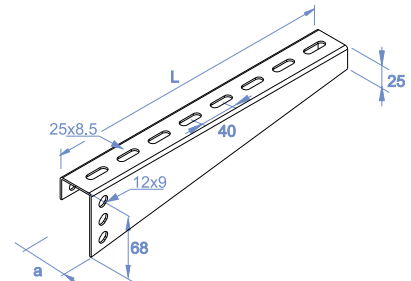


U-Profil Konsolları / U Profile Brackets



| Ürün Kodu Product Code | a mm | L mm | 1,5 mm kg/ad kg/pcs |
|---------------------------|---------|---------|---------------------------|
| STS SK 05 | 40 | 105 | 0,091 |
| STS SK 10 | 40 | 135 | 0,148 |
| STS SK 15 | 40 | 185 | 0,206 |
| STS SK 20 | 40 | 235 | 0,263 |
| STS SK 25 | 40 | 285 | 0,320 |

| Ürün Kodu Product Code | a mm | L mm | 2,0 mm kg/ad kg/pcs |
|---------------------------|---------|---------|---------------------------|
| STS SK 30 | 40 | 335 | 0,503 |
| STS SK 40 | 40 | 435 | 0,655 |
| STS SK 50 | 40 | 535 | 0,807 |
| STS SK 60 | 40 | 635 | 0,959 |



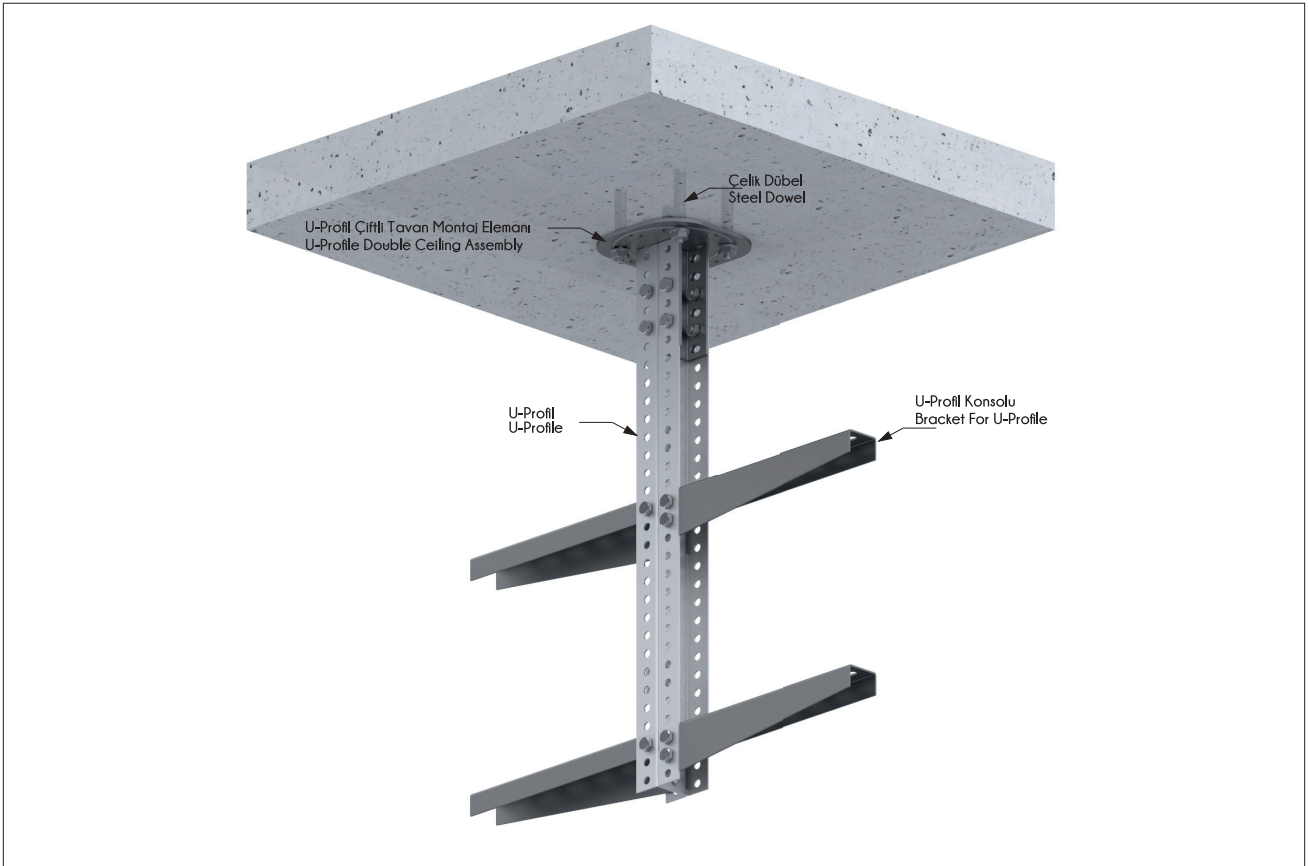
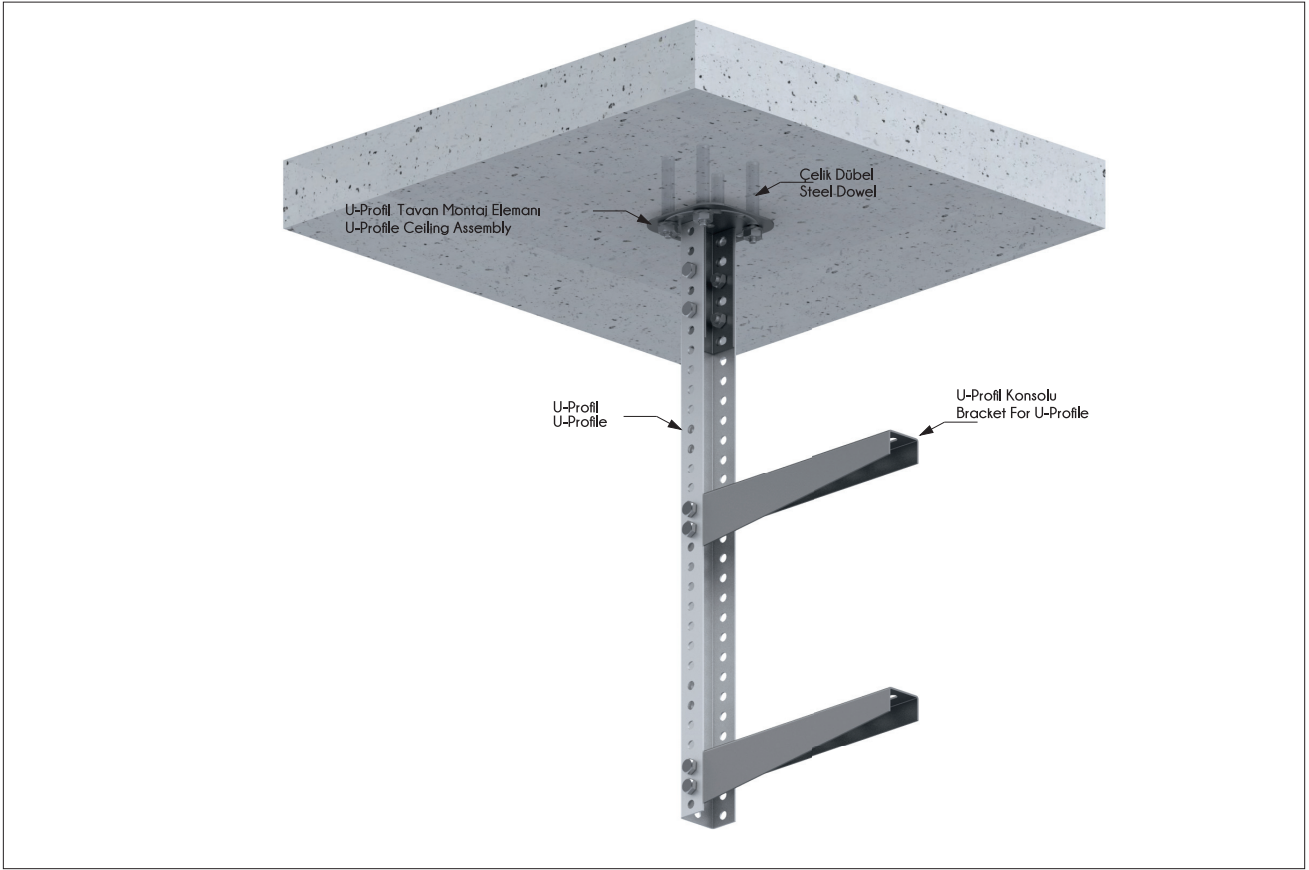
Sac Kalınlığı (t) [mm]:
Thickn. (t) [mm]:



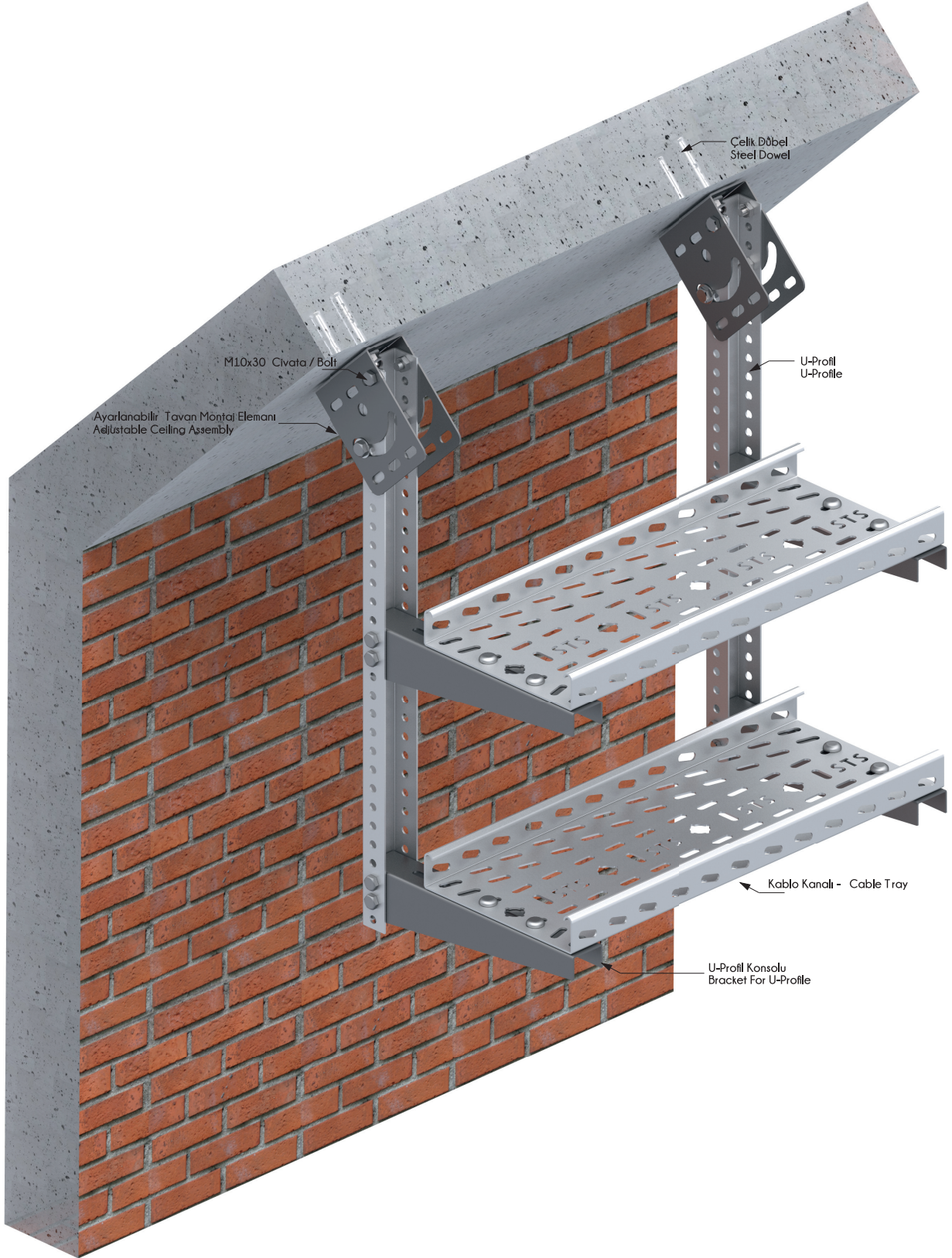
• Ağırlıklar ± 5% farklılık gösterebilir - Material weights may vary by ± 5%

• Ölçüler mm.dir - Dimensions in mm.

Montaj Örneği
Mounting Example



Montaj Örneği
Mounting Example



Montaj Örneği
Mounting Example

