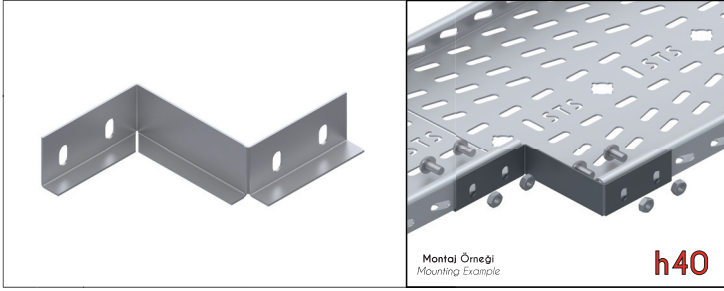
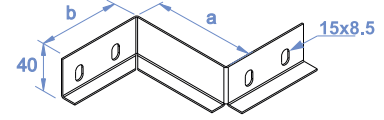


### Z Tipi Redüksiyon / Z Type Reducer



Ürün Kodu Product Code	b mm	a mm	1,5 mm kg/ad kg/pcs
STS ZR025-415	85	25	0,120
STS ZR050-415	85	50	0,135
STS ZR100-415	85	100	0,166
STS ZR150-415	85	150	0,197
STS ZR200-415	85	200	0,228
STS ZR250-415	85	250	0,258
STS ZR300-415	85	300	0,289

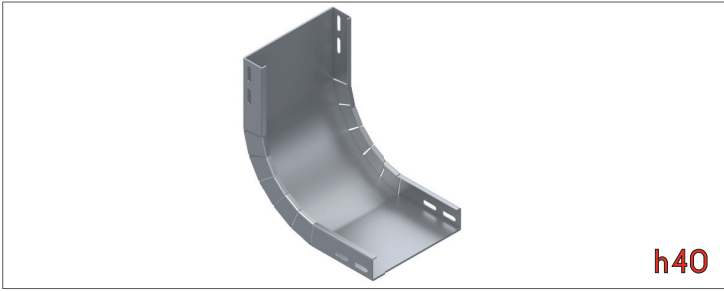
Ürün Kodu Product Code	b mm	a mm	2,0 mm kg/ad kg/pcs
STS ZR400-420	85	400	0,468
STS ZR500-420	85	500	0,550
STS ZR600-420	85	600	0,632



Sac Kalınlığı (t) [mm]:  
Thickn. (t) [mm]:

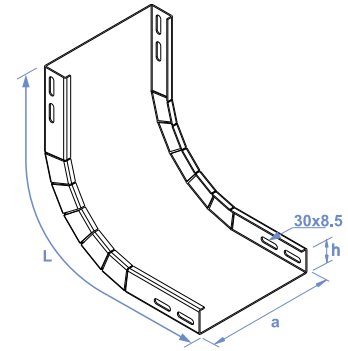


### İç Bükey Elemanlar / Vertical Adjustable Inside Bends



Ürün Kodu Product Code	a mm	L mm	1,5 mm kg/ad kg/pcs
STS A 505-415	50	625	0,848
STS A 510-415	100	625	1,142
STS A 515-415	150	625	1,437
STS A 520-415	200	625	1,731
STS A 525-415	250	625	2,025
STS A 530-415	300	625	2,320

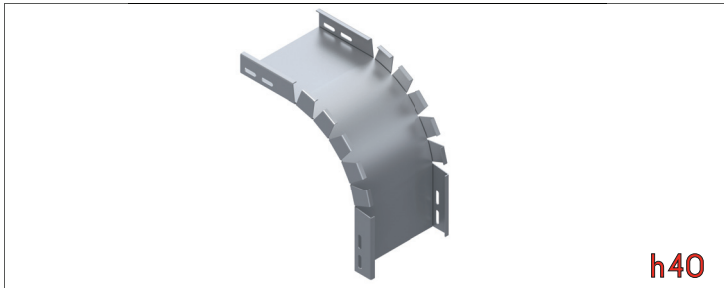
Ürün Kodu Product Code	a mm	L mm	2,0 mm kg/ad kg/pcs
STS A 540-420	400	625	3,862
STS A 550-420	500	625	4,647
STS A 560-420	600	625	5,432



Sac Kalınlığı (t) [mm]:  
Thickn. (t) [mm]:

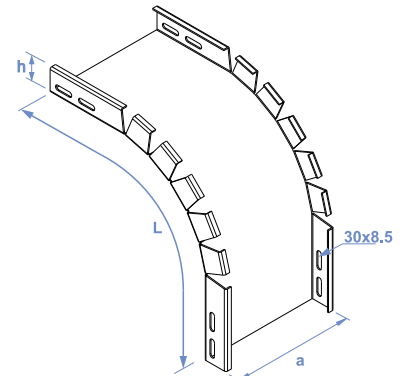


### Dış Bükey Elemanlar / Vertical Adjustable Outside Bends



Ürün Kodu Product Code	a mm	L mm	1,5 mm kg/ad kg/pcs
STS A 605-415	50	625	0,848
STS A 610-415	100	625	1,142
STS A 615-415	150	625	1,437
STS A 620-415	200	625	1,731
STS A 625-415	250	625	2,025
STS A 630-415	300	625	2,320

Ürün Kodu Product Code	a mm	L mm	2,0 mm kg/ad kg/pcs
STS A 640-420	400	625	3,862
STS A 650-420	500	625	4,647
STS A 660-420	600	625	5,432



Sac Kalınlığı (t) [mm]:  
Thickn. (t) [mm]:



• Ağırlıklar ± 5% farklılık gösterebilir - Material weights may vary by ± 5%

• Ölçüler mm.dir - Dimensions in mm.