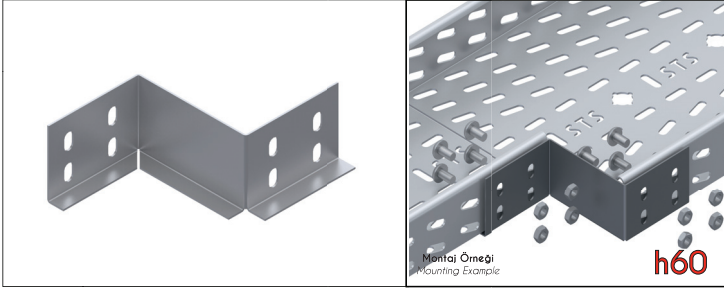
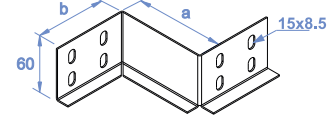


Z Tipi Redüksiyon / Z Type Reducer



Ürün Kodu Product Code	b mm	a mm	1,5 mm kg/ad kg/pcs
STS ZR025-615	85	25	0,164
STS ZR050-615	85	50	0,185
STS ZR100-615	85	100	0,227
STS ZR150-615	85	150	0,268
STS ZR200-615	85	200	0,310
STS ZR250-615	85	250	0,352
STS ZR300-615	85	300	0,394

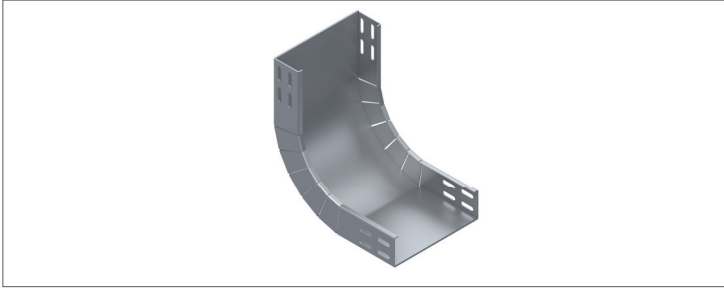
Ürün Kodu Product Code	b mm	a mm	2,0 mm kg/ad kg/pcs
STS ZR400-620	85	400	0,638
STS ZR500-620	85	500	0,749
STS ZR600-620	85	600	0,861



Sac Kalınlığı (t) [mm]:
Thickn. (t) [mm]:

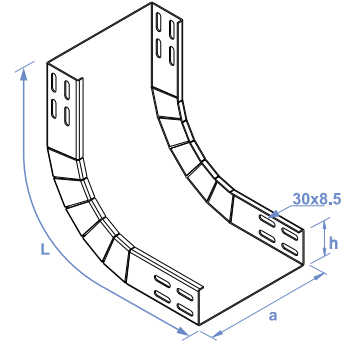


İç Bükey Elemanlar / Vertical Adjustable Inside Bends



Ürün Kodu Product Code	a mm	L mm	1,5 mm kg/ad kg/pcs
STS A 505-615	50	625	1,086
STS A 510-615	100	625	1,550
STS A 515-615	150	625	1,881
STS A 520-615	200	625	2,212
STS A 525-615	250	625	2,477
STS A 530-615	300	625	2,861

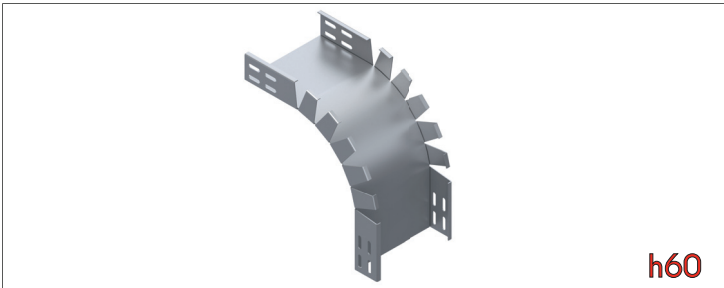
Ürün Kodu Product Code	a mm	L mm	2,0 mm kg/ad kg/pcs
STS A 540-620	400	625	4,698
STS A 550-620	500	625	5,581
STS A 560-620	600	625	6,464



Sac Kalınlığı (t) [mm]:
Thickn. (t) [mm]:

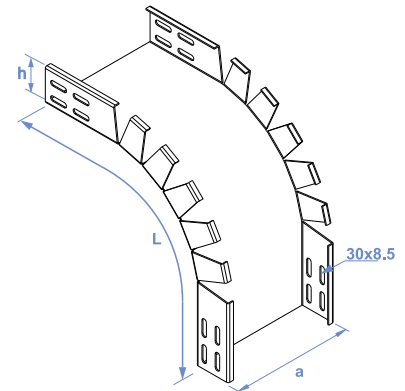


Dış Bükey Elemanlar / Vertical Adjustable Outside Bends



Ürün Kodu Product Code	a mm	L mm	1,5 mm kg/ad kg/pcs
STS A 605-615	50	625	1,086
STS A 610-615	100	625	1,550
STS A 615-615	150	625	1,881
STS A 620-615	200	625	2,212
STS A 625-615	250	625	2,477
STS A 630-615	300	625	2,861

Ürün Kodu Product Code	a mm	L mm	2,0 mm kg/ad kg/pcs
STS A 640-620	400	625	4,698
STS A 650-620	500	625	5,581
STS A 660-620	600	625	6,464



Sac Kalınlığı (t) [mm]:
Thickn. (t) [mm]:



• Ağırlıklar ± 5% farklılık gösterebilir - Material weights may vary by ± 5%

• Ölçüler mm.dir - Dimensions in mm.